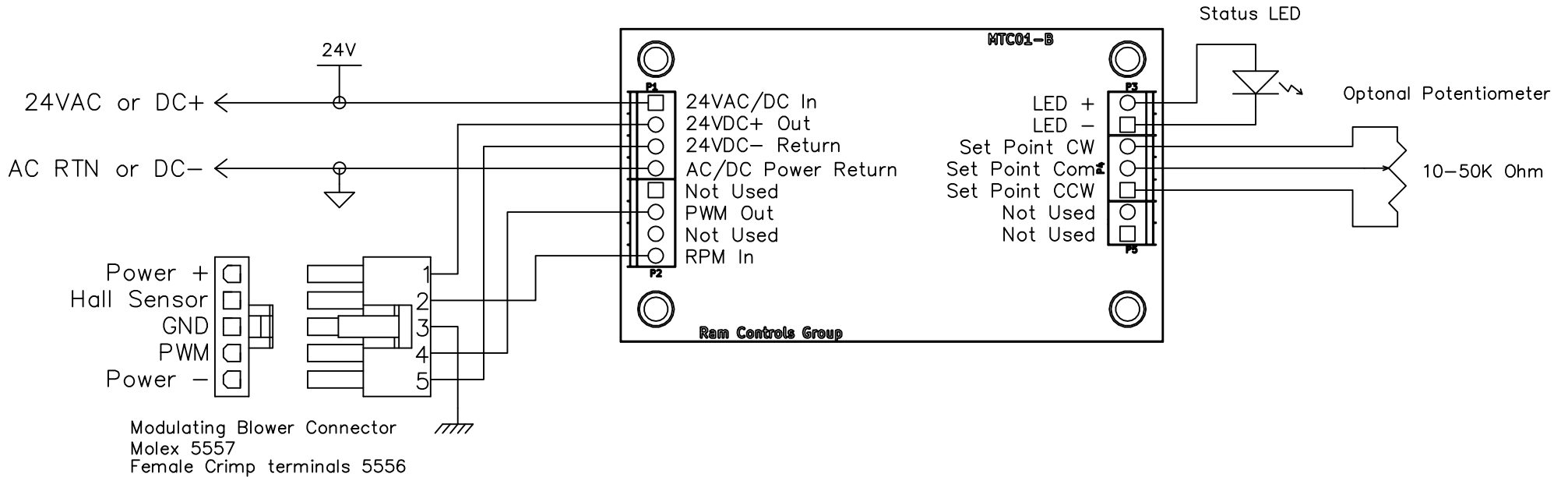


ELECTRICAL SPECIFICATIONS

Power: 24VAC or DC, +10/-15%, TBD A

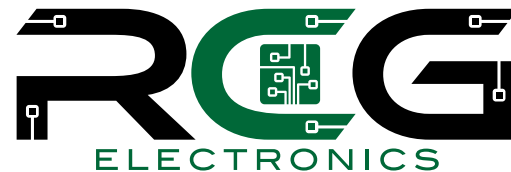
AMBIENT TEMPERATURE

-40 to 175 F



FUNCTIONAL DESCRIPTION:

The MTC01-003 is a Pulse Width Modulation (PWM) Control. It reads the value on the Potentiometer and outputs a PWM signal in relation to it's position. Through firmware option, The Potentiometer can set output to a range in RPM, as detected by the Hall Effect Sensor, or a percentage within a programed range of blower output.



Preliminary

Sheet: 1 of 1 MTC01-003

File: MTC01-003 WD.DWG

Title: Modulating Temperature Control, PWM

Size: A Date: 160524

Copyright 2016 Ram Controls Group, LLC All Rights Reserved

Drawn by DDJ