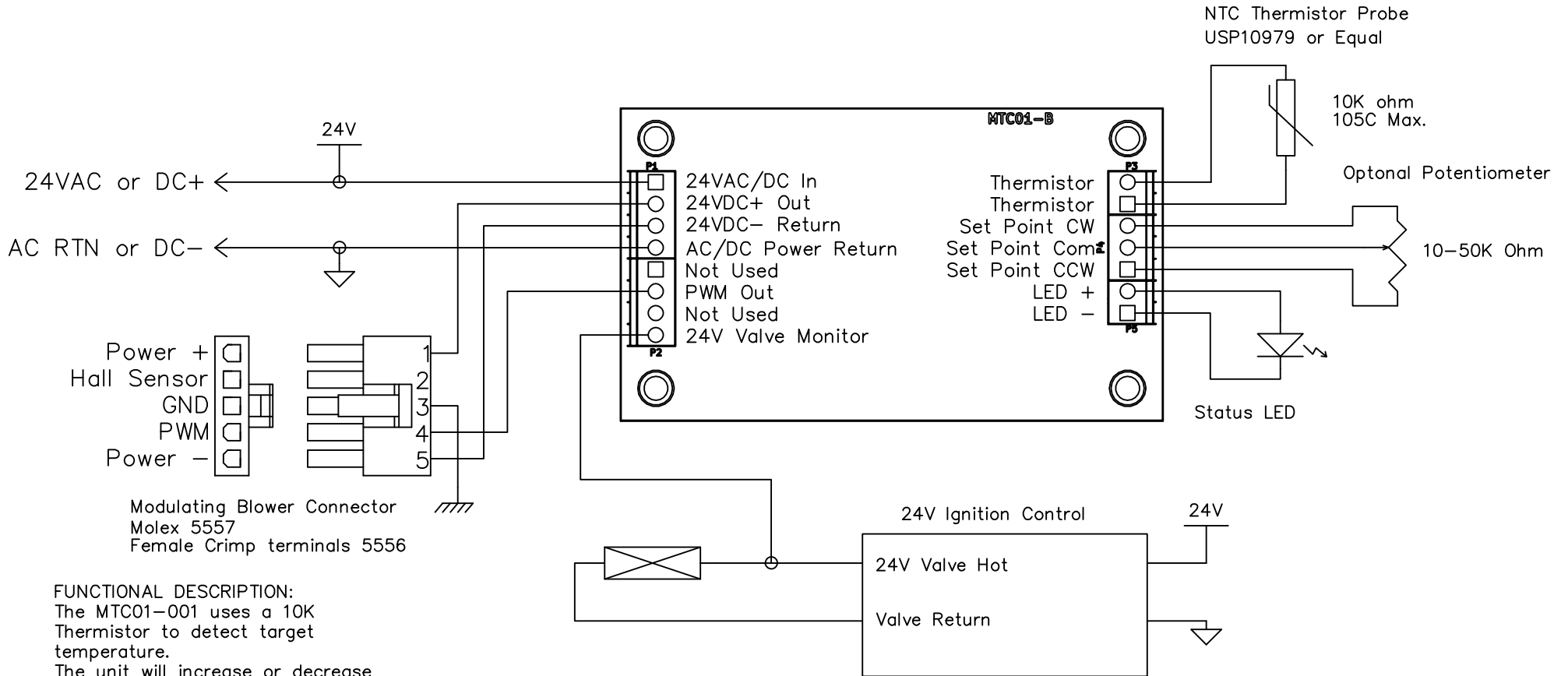


ELECTRICAL SPECIFICATIONS

Power: 24VAC or DC, +10/-15%, TBD A

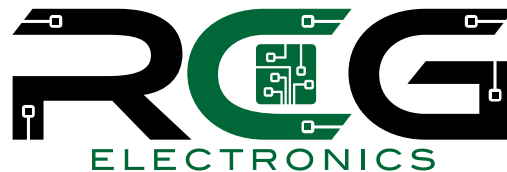
AMBIENT TEMPERATURE

-40 to 175 F



FUNCTIONAL DESCRIPTION:
 The MTC01-001 uses a 10K Thermistor to detect target temperature. The unit will increase or decrease the Pulse Width Modulation (PWM) signal to adjust the target temperature to a set-point. Through custom firmware, this set point can be either hard set or selectable with the Potentiometer in a customizable range of temperatures. If no signal is detected on the Gas Valve Monitor input, the unit sets the PWM to the minimum ignition speed.

Drawn by DDJ



Preliminary

Sheet: 1 of 1	MTC01-001
File: MTC01-001 WD.DWG	
Title: Modulating Temperature Control, 10K Thermistor	
Size: A	Date: 160524
Copyright 2016 Ram Controls Group, LLC	All Rights Reserved